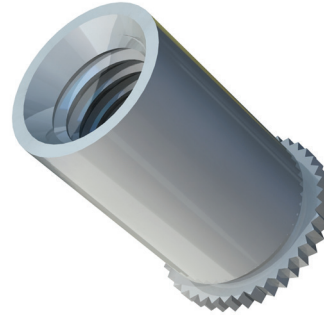
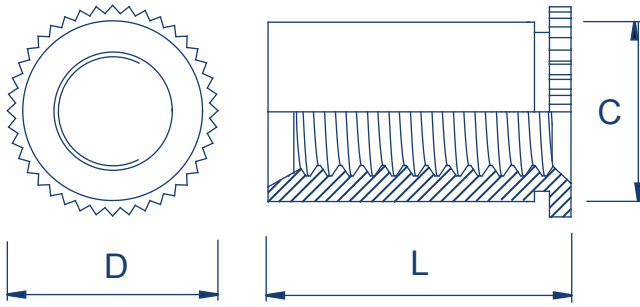


Screw Lock Threaded Standoffs

TR-DSO/TR-DSOS

Zinc Plated Steel : TR-DSO | Stainless Steel : TR-DSOS



Metric Dimensions

Thread	M3
L +0.05 -0.13	6.35
	7
C max	4.2
D nom	4.92
Sheet thickness	0.94 - 6.35
Hole +0.08	4.2
Min distance to edge of sheet	3.2

Metric Performance Data: TR-DSO / TR-DSOS

Thread	M3	
Sheet thickness (mm)	Steel	1
	Aluminium	1
Installation (kN)	Steel	5.85
	Aluminium	4.5
Pushout (N)	Steel	334
	Aluminium	225
Torsional resistance (Nm)	Steel	1.2
	Aluminium	1.1

These tests have been conducted in laboratory conditions, these figures should therefore be used for guidance only.

All data is correct to the best of our knowledge, however TR cannot be held responsible for any errors or omissions.